

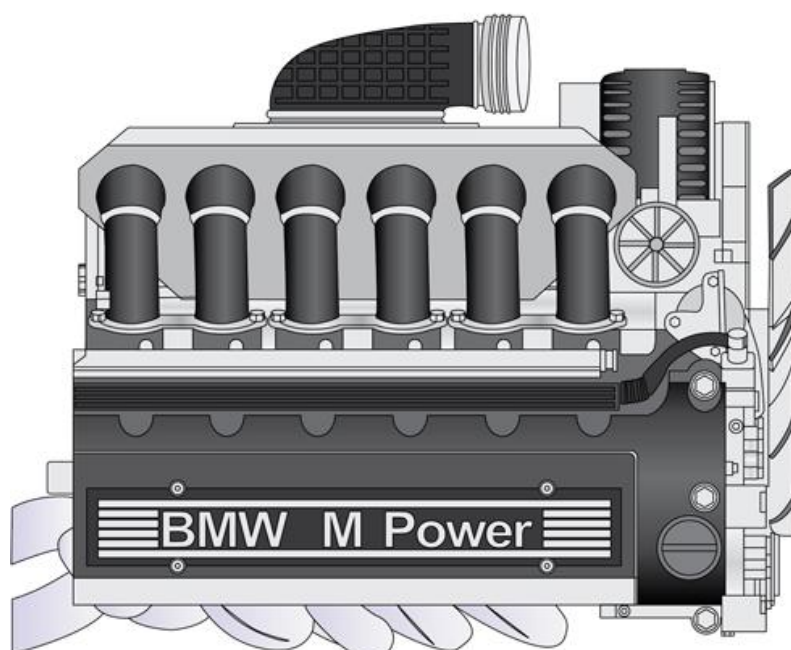
**1/24 Super detail engine kit
for BMW e36 Hasegawa,
Dragon, Revell**

24T013

USCP



ukrainian scale cars production



** *BMW S50B32*
*E36 Engine+ engine bay***

ASSEMBLY INSTRUCTION

2018

Made in Ukraine

Parts:



*Part 20 is not used

Colors:

A – semi gloss black

B – aluminum

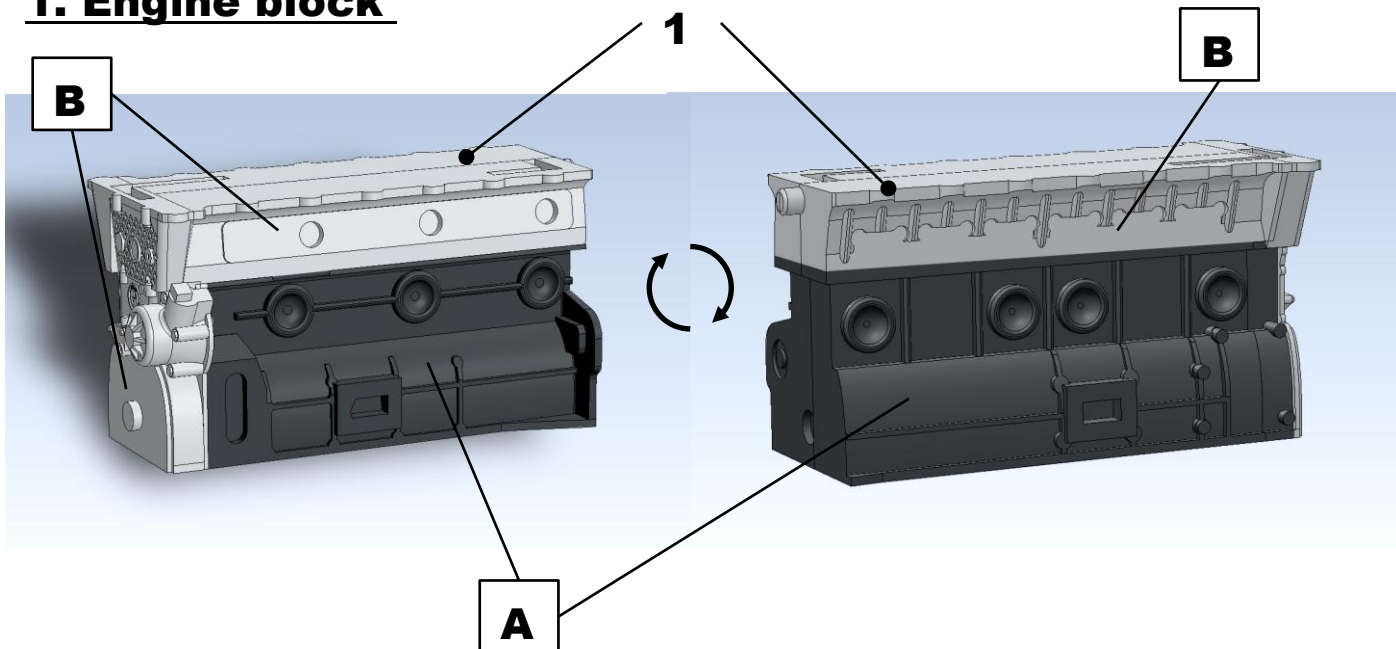
C – steel

D – chrome

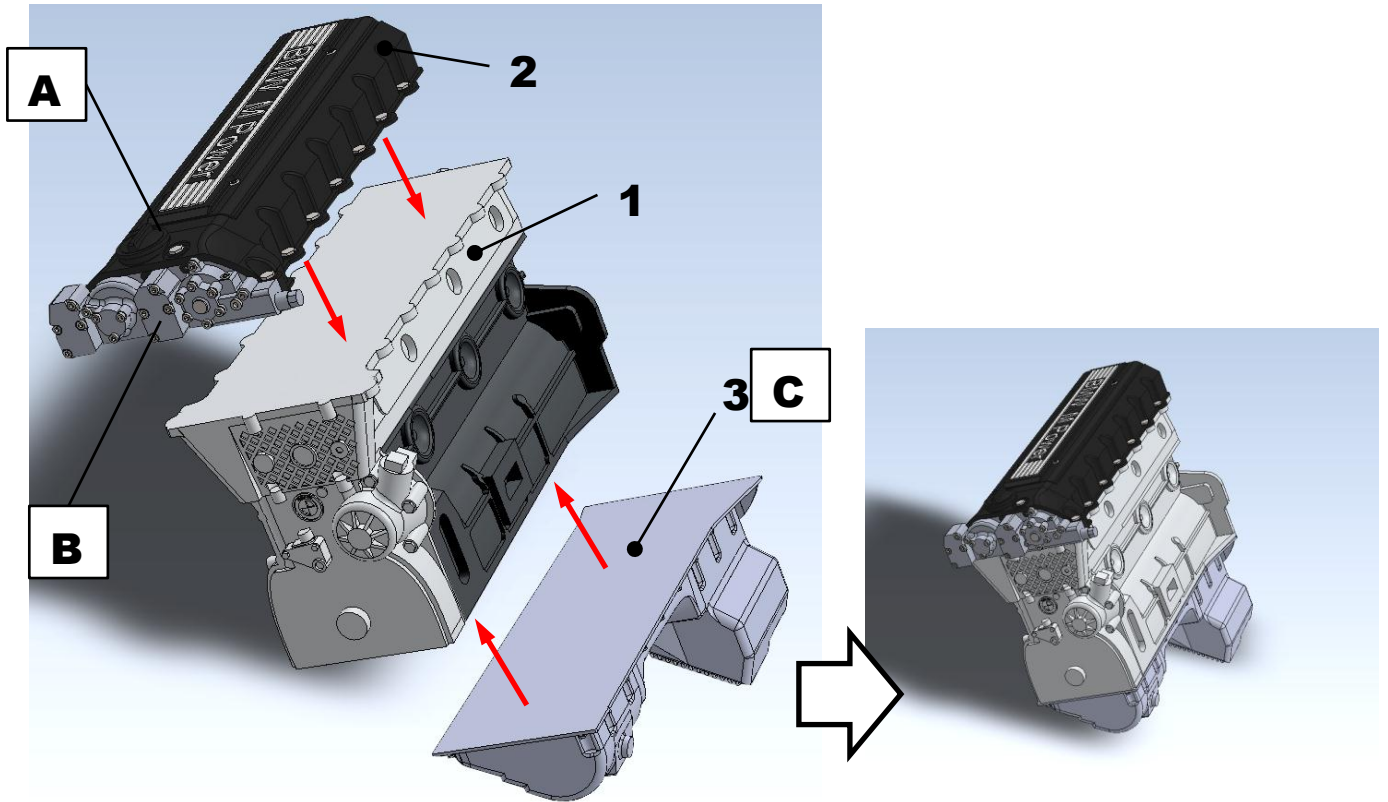
E – body color

F – moon white

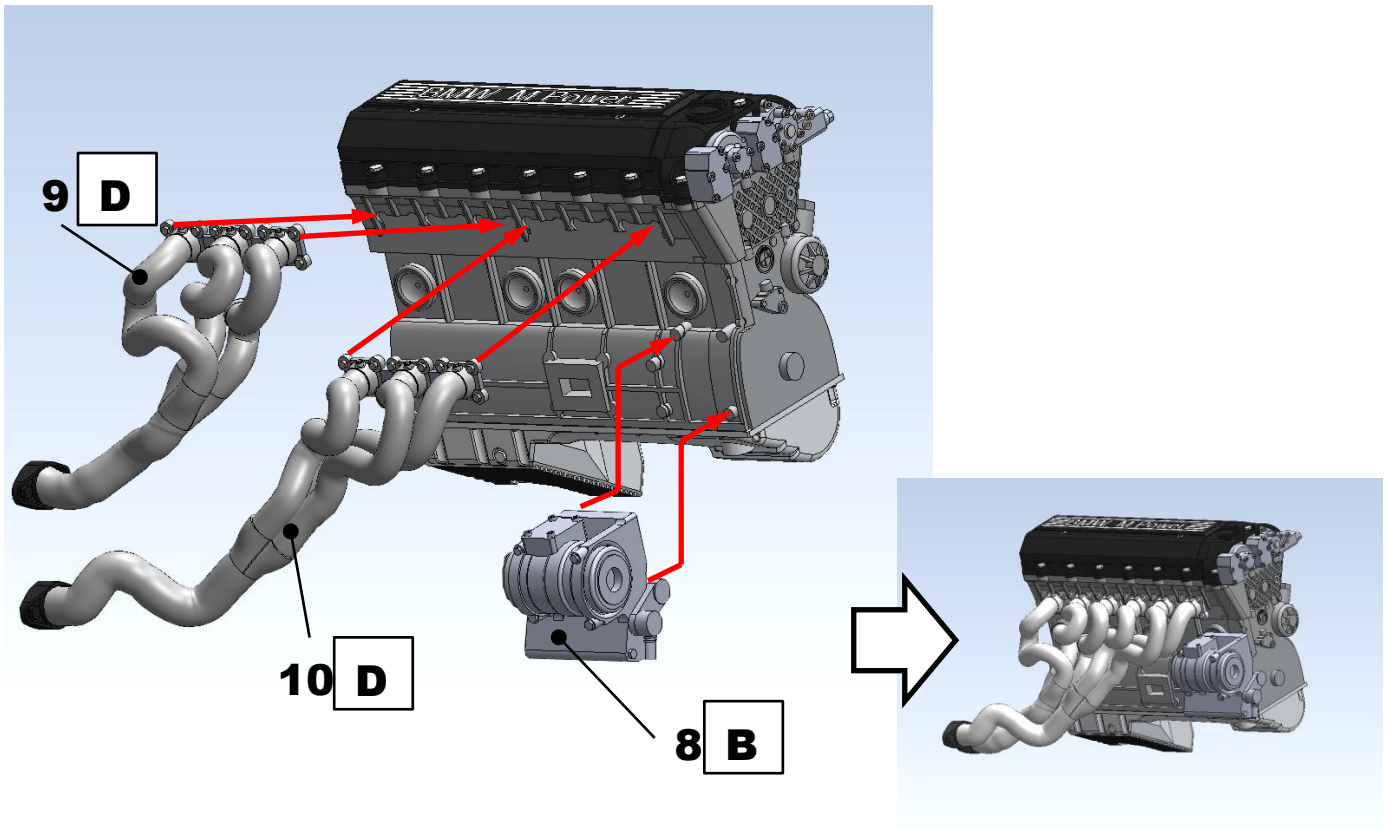
1. Engine block



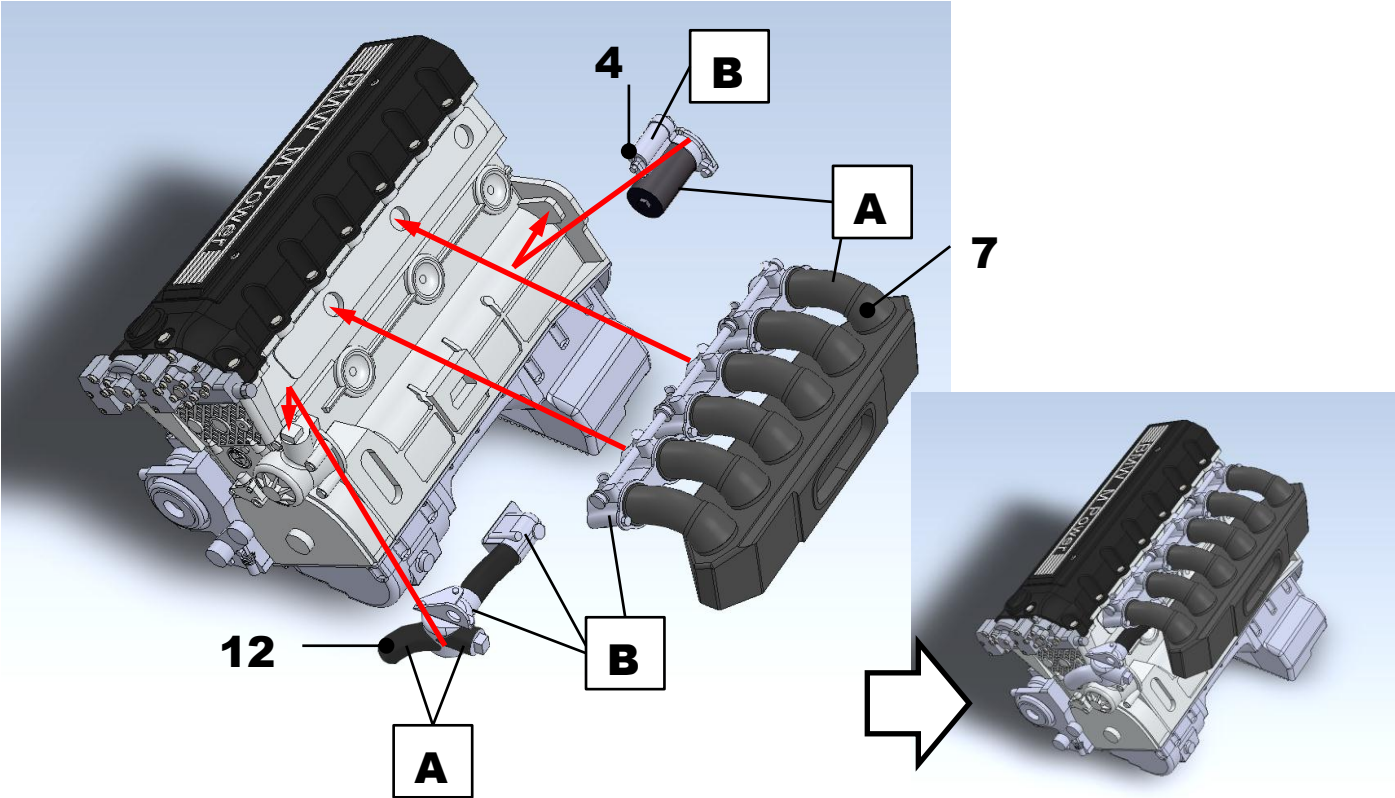
2. Head and crankcase



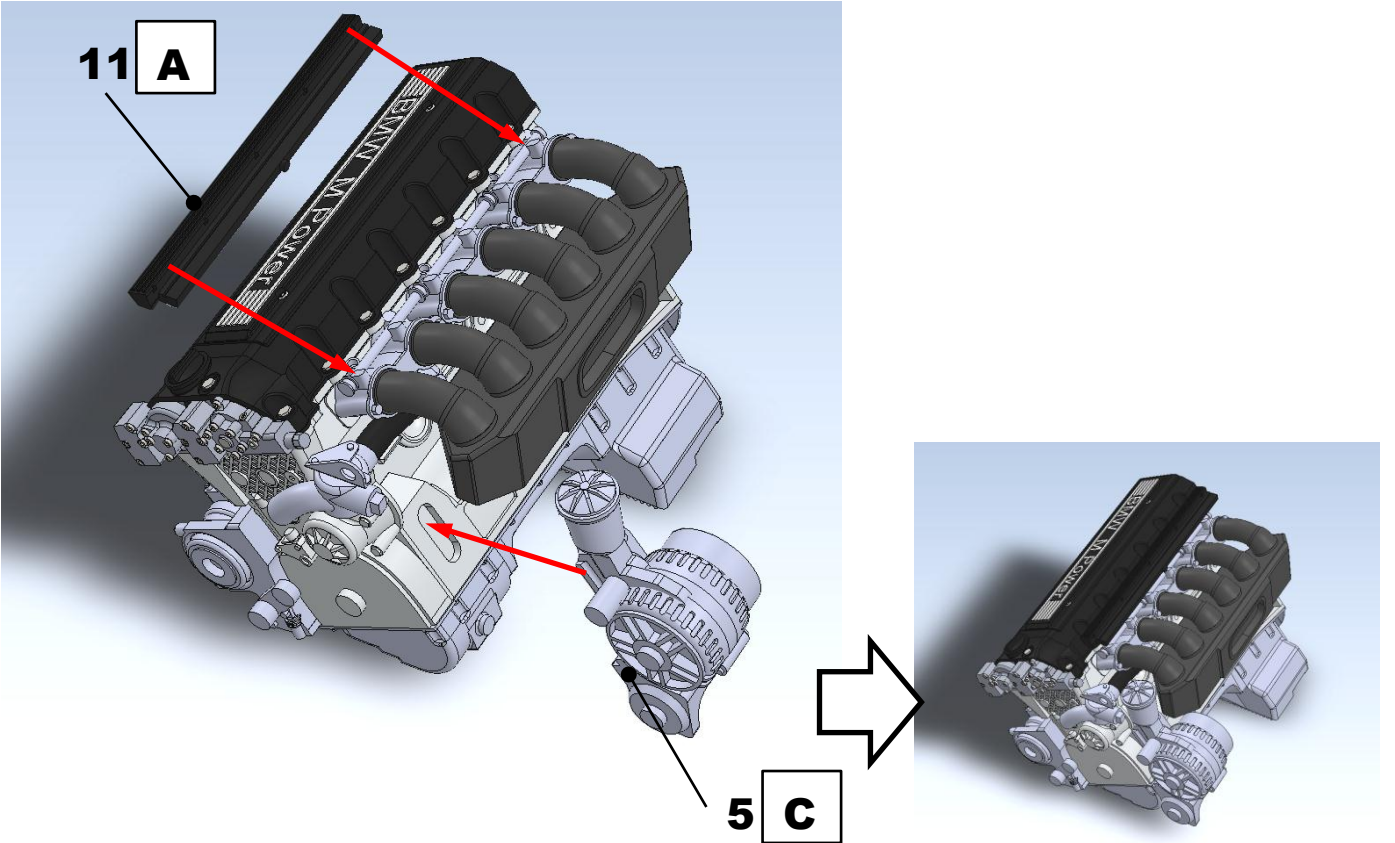
3. Exhaust and air-condition compressor



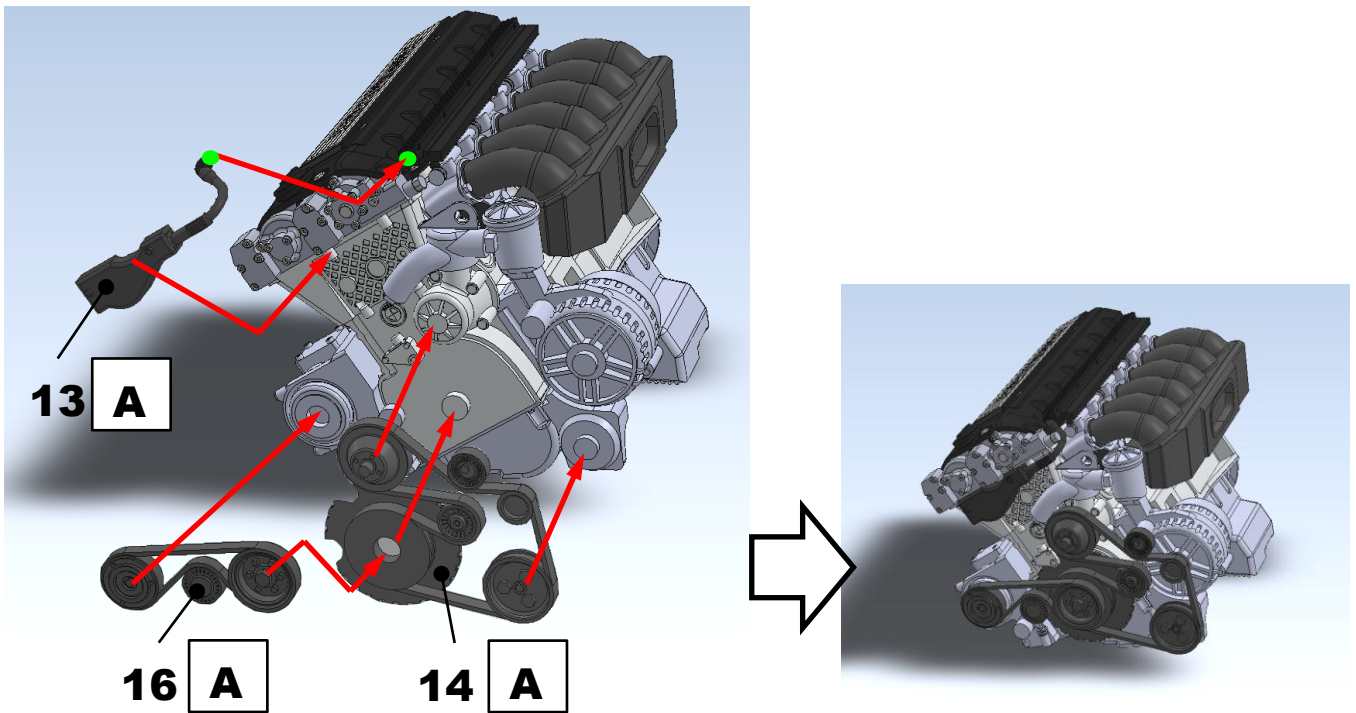
4. Intake, starter, coolant pipes



5. Generator and fuel rail



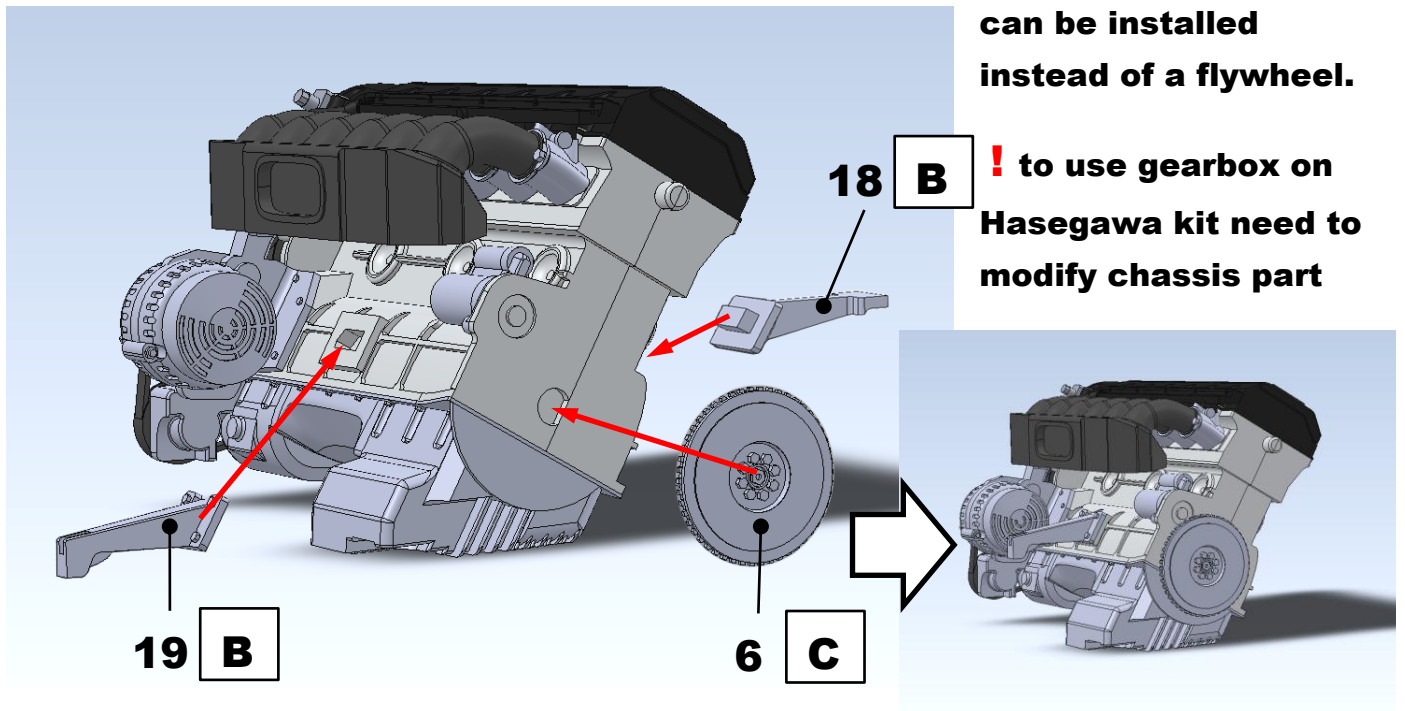
6. Driving belts and camshaft sensor



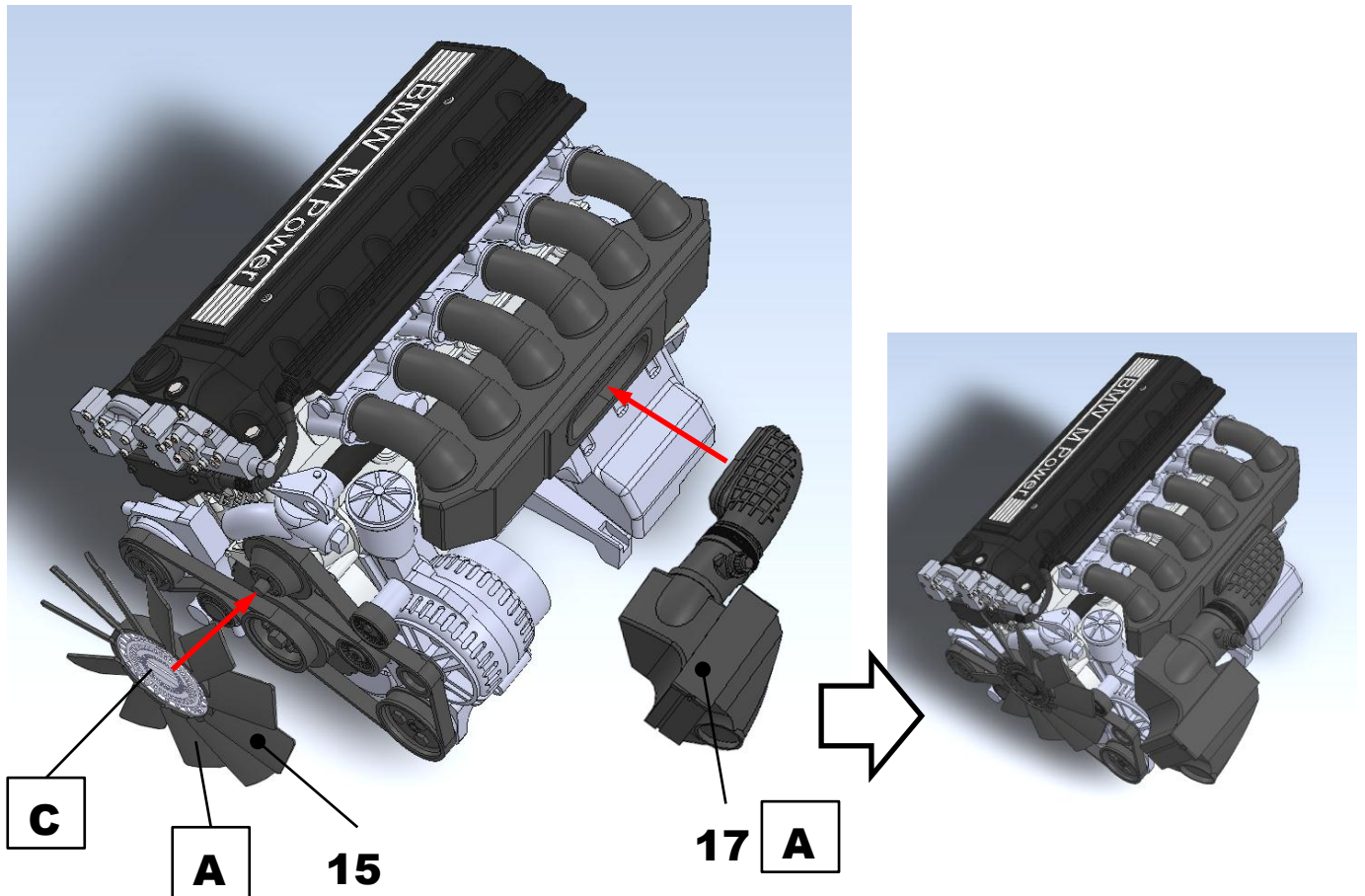
7. Flywheel (gearbox) and engine arms

Gearbox (parts 21,22) can be installed instead of a flywheel.

! to use gearbox on Hasegawa kit need to modify chassis part

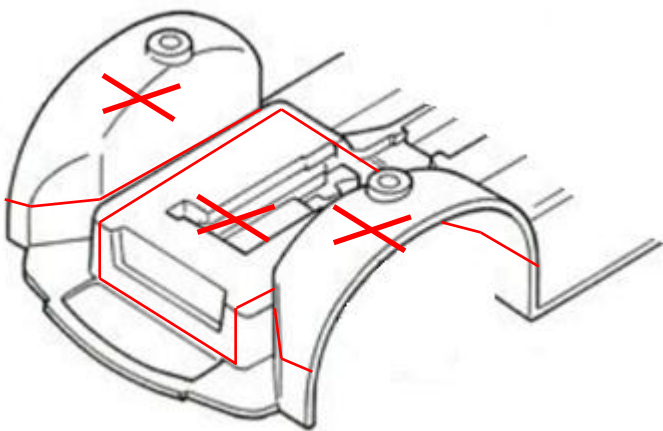


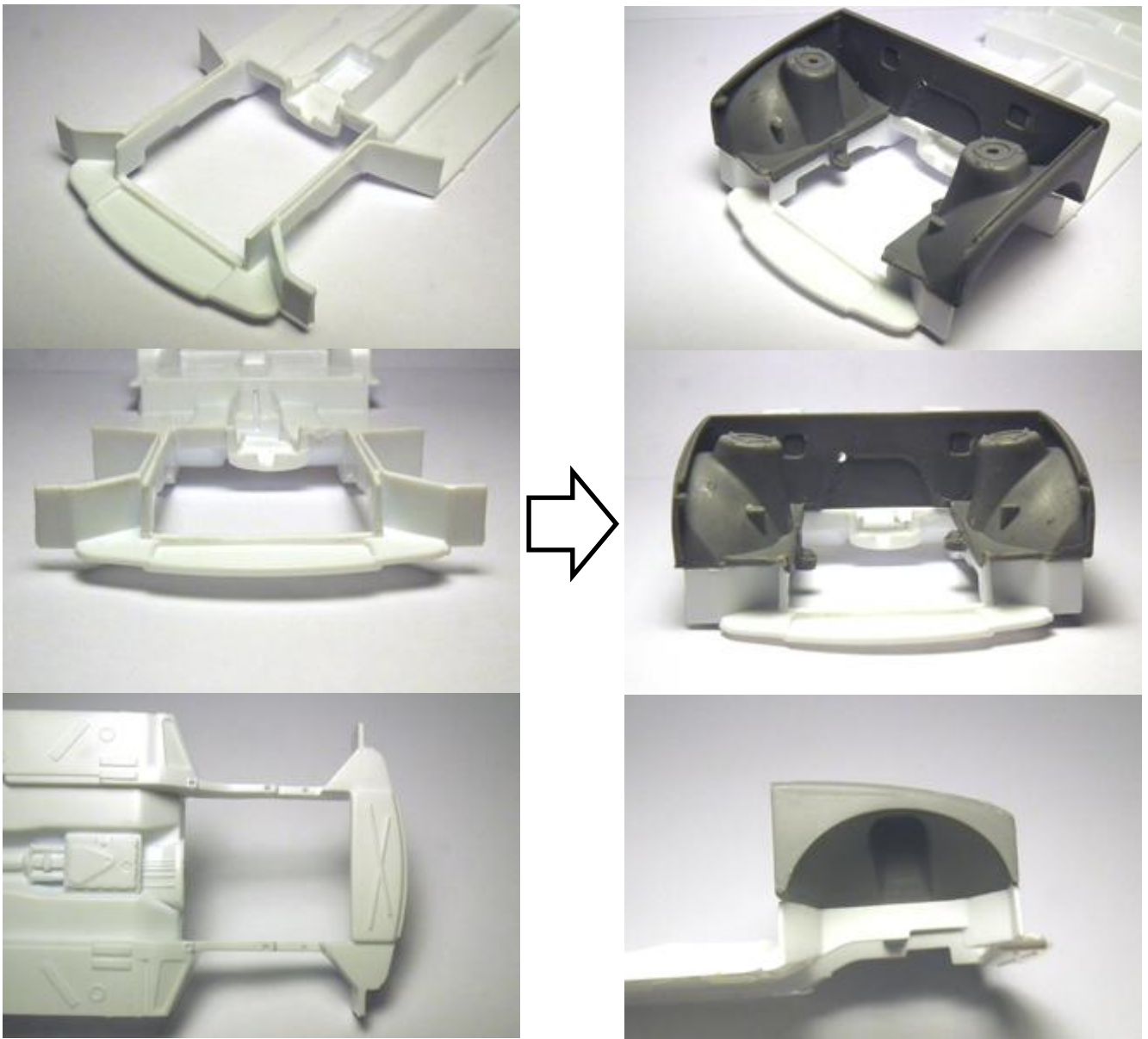
8. Fan and air filter



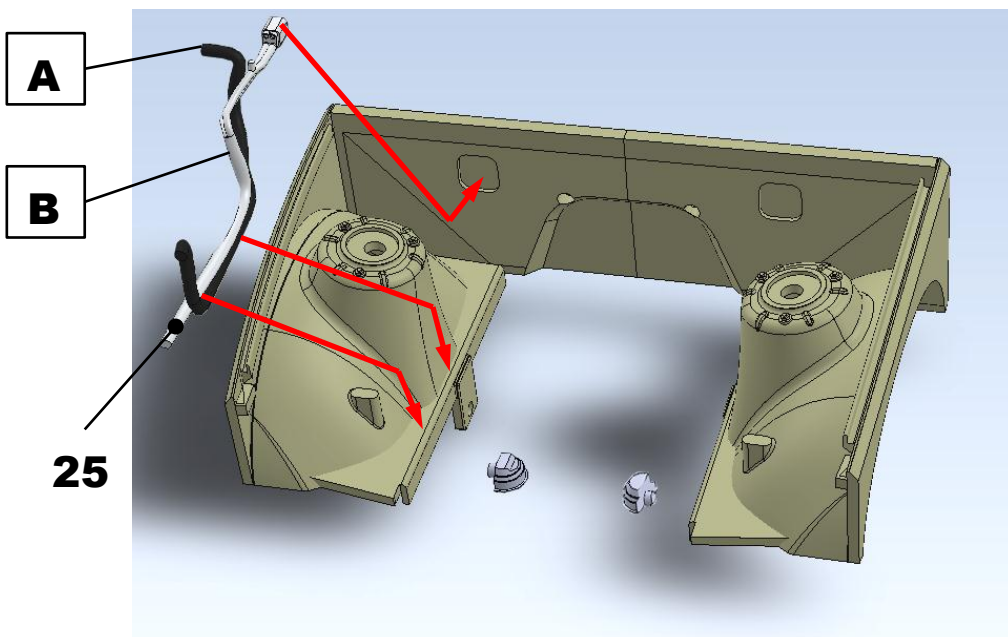
9. Engine bay installation

To install Engine bay to Hasegawa kit chassis, you will need to remove engine imitation and cut wheel arches, like shown on pictures

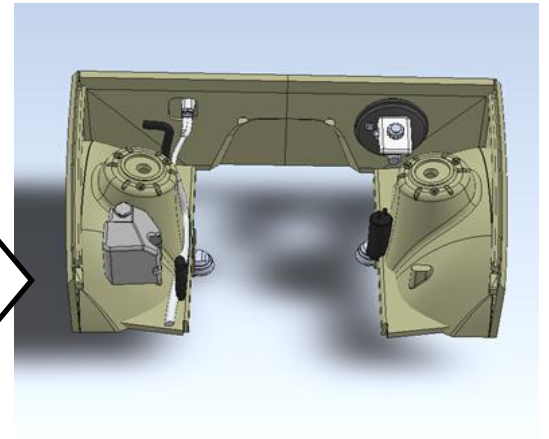
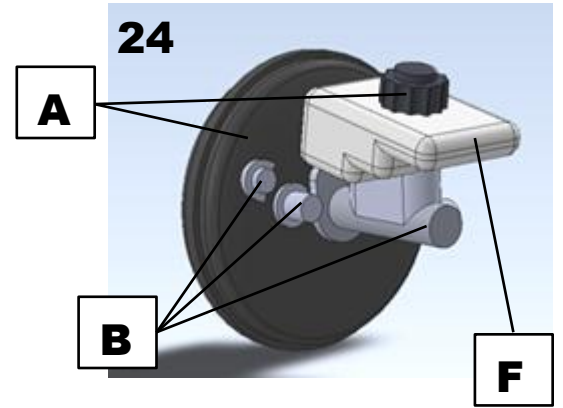
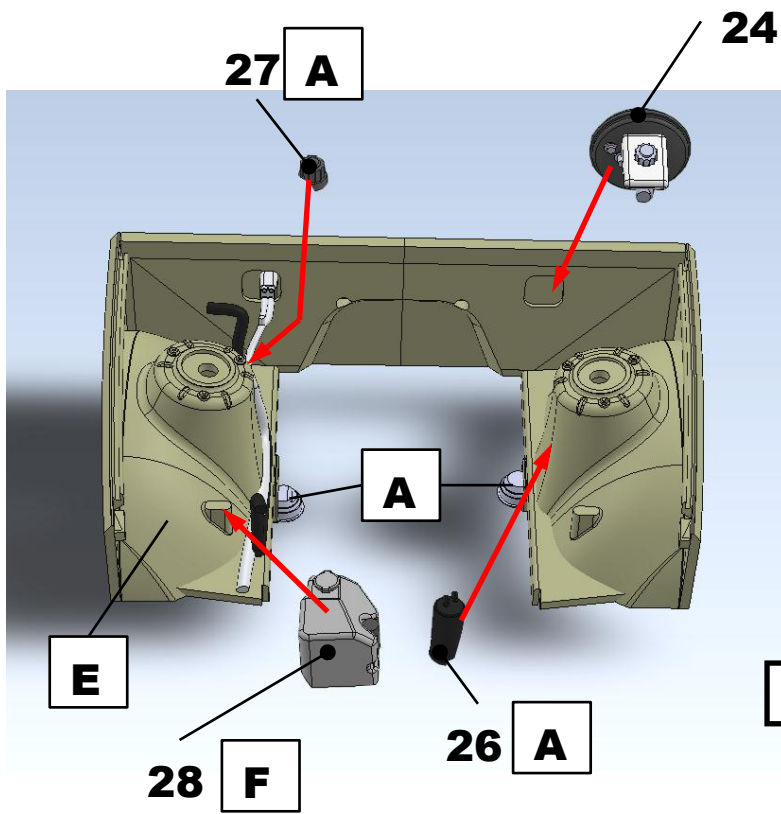




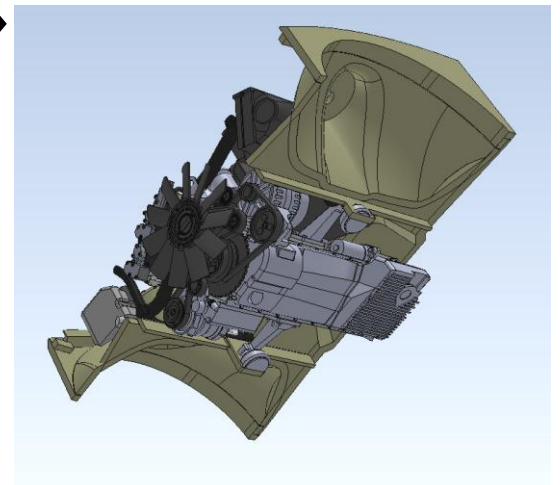
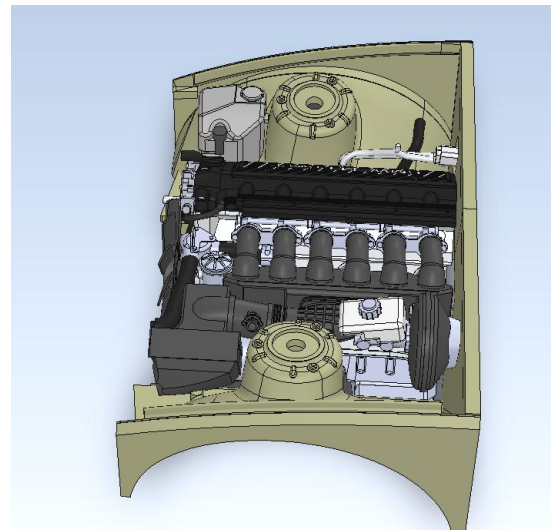
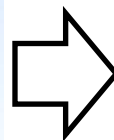
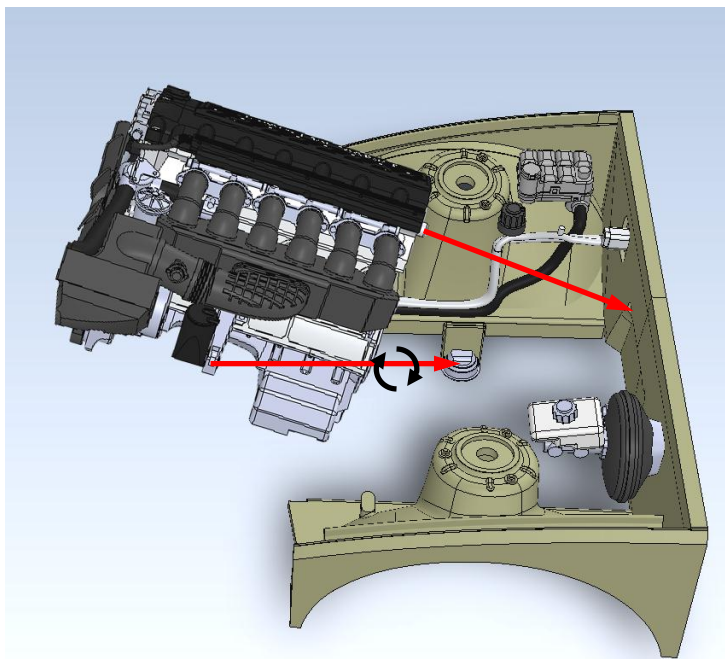
10. Air-condition pipes



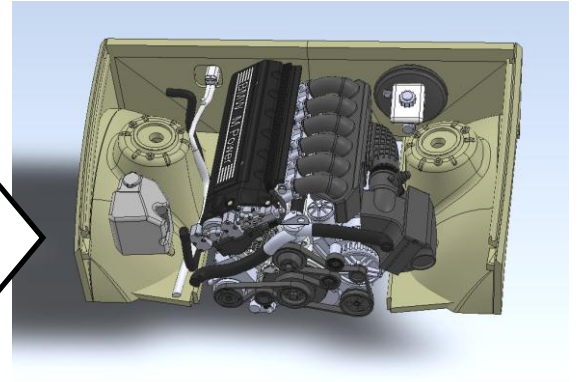
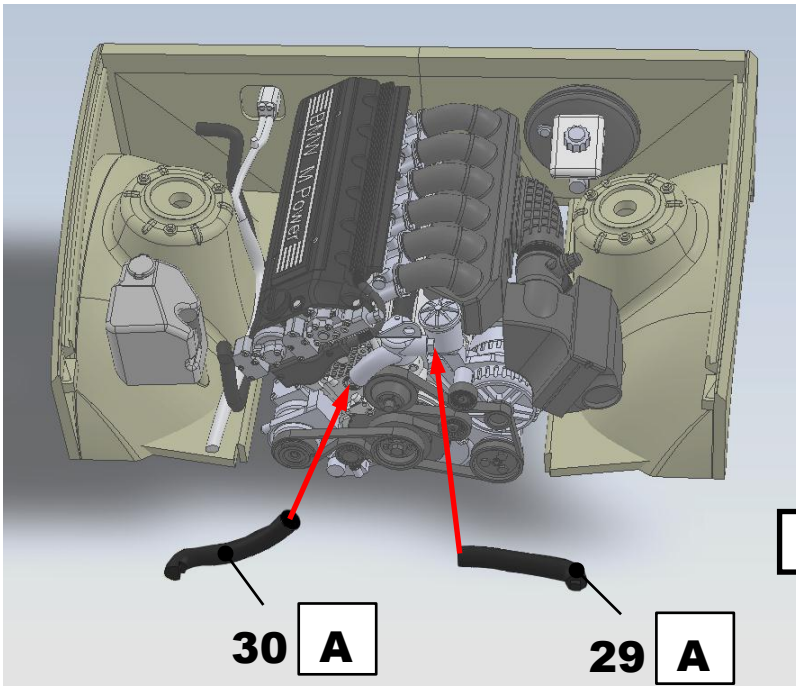
11. Engine bay components



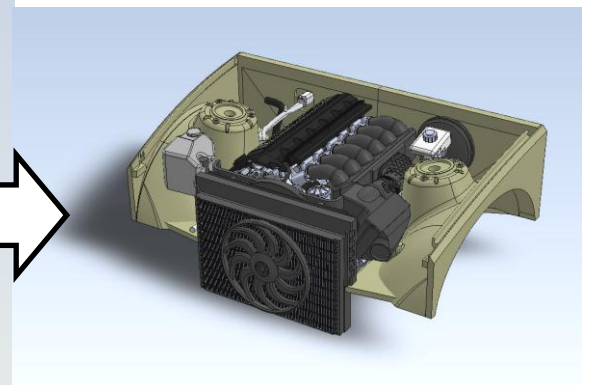
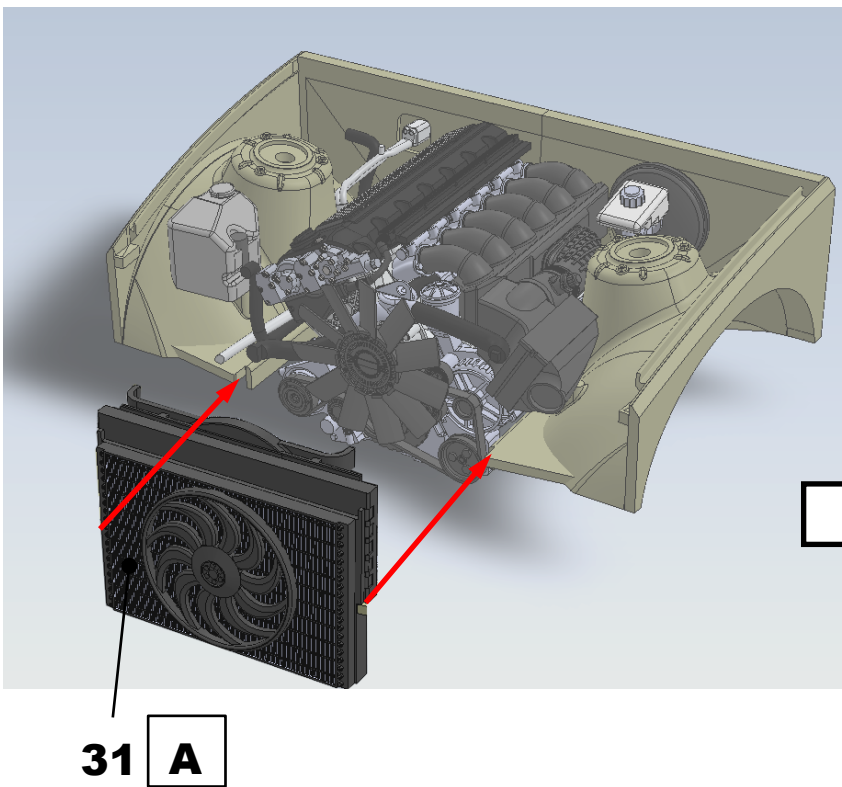
12. Engine installation



13. Coolant pipes



14. Radiator installation



15. Set this parts *after* installation chassis into body

